

AMBER RD

SPOT DOWN SERIES



Model No: LM-011-DLMA9-9W**

TECHNICAL DESCRIPTION

Fixed round luminaire designed to use LED lamps with C.o.B. technology. Clear/frosted diffuser, with aluminium reflector complete with flux enhancer. Body made of painted white die-cast aluminium. Product complete with LED lamp in different CCT. General lighting beam.

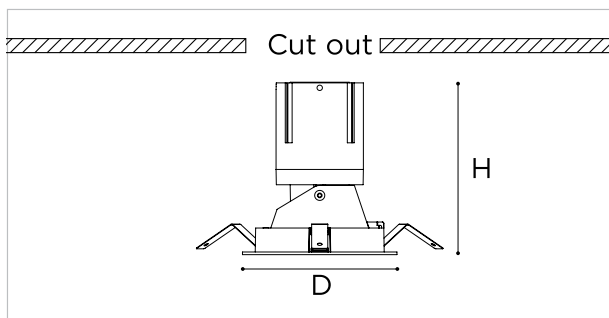
INSTALLATION

Recessed using torsion springs which allow easy installation in false ceilings with thicknesses ranging from 5 mm.

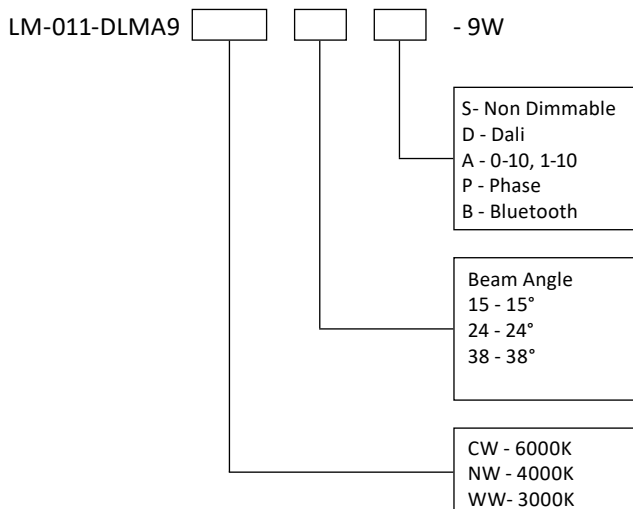
AREAS OF APPLICATION

• Hotel • Club • Museum • Shopping Mall

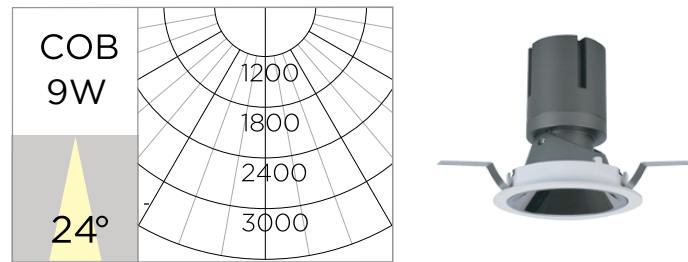
DIAGRAM



MODEL NUMBER SELECTION



LUMINOUS INTENSITY DISTRIBUTION DIAGRAM



PHYSICAL CHARACTERISTICS

Installation	Recessed	Rotation	Non Adjustable
Driver	Remote	IP-Rating	IP20, IP44
Cut-Out Size	75 (mm)	IK-Rating	IK03
Dimension	D90 x H100 (mm)	Fixture Material	Die Cast Aluminium
Adjustability	Fixed	Standard Finish	White, Black, Grey
Reflector	Aluminium	Optional Accessories	N/A

ELECTRICAL CHARACTERISTICS

Light Source	Bridgelux	Color Temperature	3000K, 4000K, 6000K
LED Current	250mA	Beam Angle	15°/24°/38°
LED Voltage	36V	Dimming Options	NON-DIM, PHASE, 1-10V, DALI
LED Power	9W	Power Factor	0.9W
System Power	9W	UGR	<10
LED Luminous Flux	720lm	Driver Options	LYTEMASTER, TRIDONIC, HELVAR
Chromaticity Tolerance	SDCM≤3	Extended Configuration	2700K, 5000K
Color Rendering Index	>80/90	Options On Request	Bluetooth

PRODUCT SPECIFICATION

Mains Voltage	220-240V	Environmental Temp	-20°C ~ +40°C
Frequency	50/60 Hz	Rated Service Life (h)	55,000
Safety Class	II	Certification	TUV, CE, RoHS

Notice: We reserve the right to make the technical changes without notice. Please contact our sales office for further information.